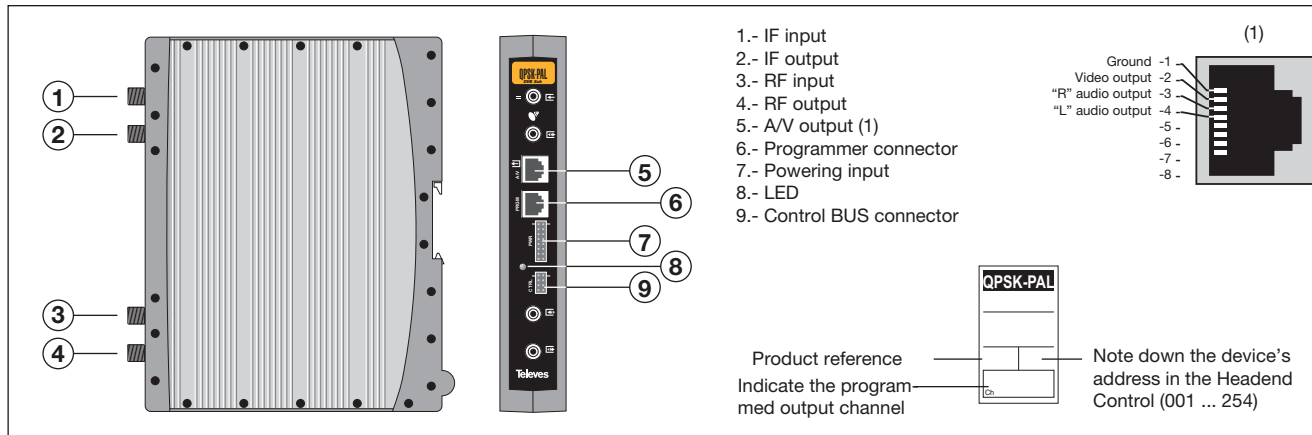


4. - ELEMENT DESCRIPTION

4.1.- QPSK-PAL STEREO



ENGLISH

The QPSK-PAL STEREO transmodulator turns a TV or radio channel (chosen by the user) from the existing channels in a satellite transponder (QPSK modulation and an approximate bandwidth of 36 MHz) into a VHF/UHF channel (PAL modulation and a bandwidth of 7/8 MHz).

To do this, the unit carries out the QPSK demodulation of the input channel (transponder), thereby obtaining an MPEG-2 TS (MPEG-2 transport stream) to carry out

the subsequent modulation (according to the standard) of the audio and video signals of the selected program in any channel or frequency between 46 and 862 MHz.

The selection of the different parameters (input frequency, S.R, output level, output frequency, ...) is carried out via the programmer ref. 7234, that connects to the front of the device.

It is also possible to control the unit from a PC as explained in section 6.

The QPSK-PAL transmodulator disposes of an IF input and output in the upper "F" connectors with the aim of enabling the input signal to pass to various modules and to allow the powering of a converter via the IF input (13V or 18V), as well as to be able to generate a 22 KHz tone for the selection of the converter's oscillator.

It also has an RF input and output connector so as to be able to mix the channels for their subsequent amplification.